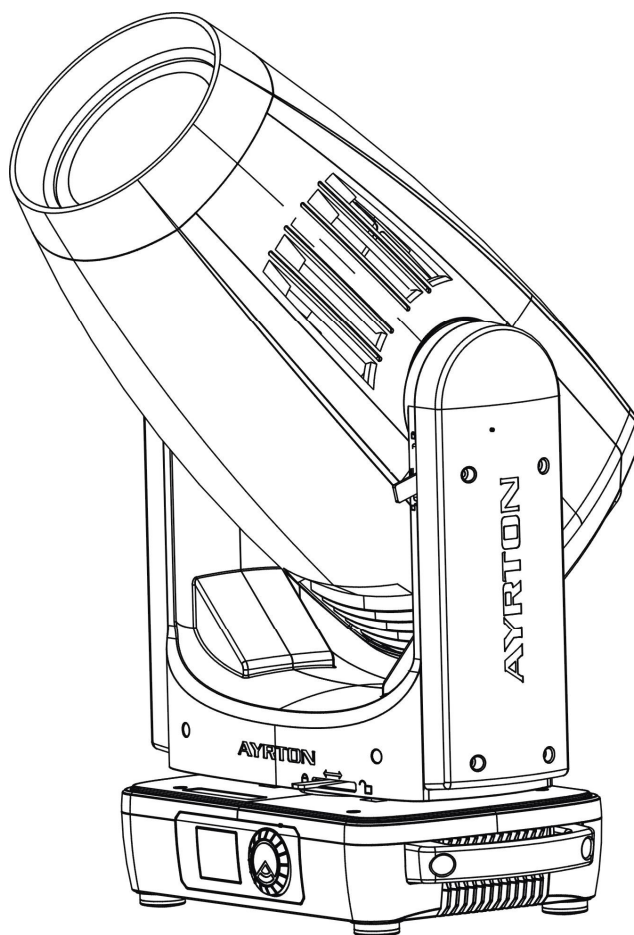




*Manuel d'utilisation*



**LEVANTE<sup>S</sup>**  
**LEVANTE<sup>TC</sup>**

KEEP THIS MANUAL FOR FUTURE NEEDS



# CONTENTS

1. SAFETY INSTRUCTIONS	2
2. FEATURES	4
3. FIXTURE OVERVIEW	6
4. DIMENSIONAL DRAWINGS	7
5. INSTALLATION INSTRUCTIONS	9
6. DMX-512 CONTROL CONNECTION	12
7. DMX-512 CONNECTION WITH DMX TERMINATOR	12
8. DEVICE DMX START ADDRESS SELECTION	13
9. DISPLAY	13
10. DMX PROTOCOL	26
11. ERROR MESSAGES	31
12. CLEANING AND MAINTENANCE	34

# 1. SAFETY INSTRUCTIONS


## 1.1. IMPORTANT SAFETY WARNING

This device has left the factory in perfect condition. In order to maintain this condition and to ensure safe operation, it is absolutely necessary for the user to follow the safety instructions and warning notes written in this user manual.


In order to install, operate, and maintain the lighting fixture safely and correctly we suggest that the installation and operation be carried out by qualified technicians and these instructions be carefully followed.

	<b>CAUTION!</b> HIGH VOLTAGE. RISK OF SEVERE OR FATAL ELECTRIC SHOCK
---	---

	<b>CAUTION!</b> ALWAYS DISCONNECT MAINS SUPPLY BEFORE REMOVING ANY FIXTURE COVERS
---	--

	<b>CAUTION!</b> NEVER LOOK DIRECTLY INTO THE LIGHT SOURCE. SENSITIVE PERSONS MAY SUFFER AN EPILEPTIC SHOCK
--	---

	<b>CAUTION!</b> NEVER TOUCH THE DEVICE DURING OPERATION! COVERS MAY BE HOT
---	---

<b>CAUTION!</b>	
	<b>Warning:</b> Changes or modifications to this unit not expressly approved by the party responsible for compliance could void the user's authority to operate the equipment.
	<b>NOTE:</b> This equipment has been tested and found to comply with the limits for a Class A digital device, pursuant to Part 15 of the FCC Rules. These limits are designed to provide reasonable protection against harmful interference when the equipment is operated in a commercial environment. This equipment generates, uses and can radiate radio frequency energy and, if not installed and used in accordance with the instruction manual, may cause harmful interference to radio communications. Operation of this equipment in a residential area is likely to cause harmful interference in which case the user will be required to correct the interference at his own expense.

***Important:***



***Damage caused by the disregard of this user manual is not subject to warranty. The dealer and manufacturer will not accept liability for any resulting defects or problems.***

- If the device has been exposed to temperature changes due to environmental conditions, do not power on immediately. The resulting condensation could damage the device. Leave the device powered off until it has reached room temperature.
- Ensure the sealing rubber covers of oowerCON and XLR connectors are fitted properly when the device is not in use, to avoid water ingress.

- This device falls under protection-class I. Therefore, it is essential that the device be earthed.
- If either lenses or displays are damaged (damage may include cracks or gashes in the material) they must be replaced.
- Electrical connections, such as replacing the power plug, must be performed by a qualified person.
- Make sure that the available voltage is not higher than that which is stated at the end of this manual.
- Make sure the power cord is never crushed or damaged by sharp edges. If this should be the case, replacement of the cable must be done by an authorized dealer.
- If the external flexible power cord of this device is damaged, it shall be exclusively replaced by the manufacturer or their service agent or a similar qualified person in order to avoid injury.
- When the device is not in use or before performing maintenance, always disconnect the device from the mains. Only handle the power cord from the plug. Never pull the plug out of a socket by tugging the power cord.
- When powered on for the first time, some smoke or smell may occur. This is caused by coating on metal parts when heated and is normal. If you are concerned, please contact your distributor.
- Do not focus the beam onto flammable surfaces. The minimum distance between the exiting lens of the device and the illuminated surface must be greater than 2 meter.

**Please be aware that damage caused by any modifications to the device are not subject to warranty. Keep away from children and non-professionals.**

## 1.2. GENERAL GUIDELINES

- This device is a lighting effect for professional use on stages, in discotheques, theatres, etc. the device was designed for indoor use.
- This fixture is only allowed to be operated within the maximum alternating current as stated in the technical specifications in section 2 of this manual.
- Handle the device with care, avoid shaking or using force when installing or maintaining the device.
- If you use the quick lock cam when rigging the device, make sure the quick lock fasteners are located in the quick lock holes correctly and securely.
- Operate the device only after having familiarized yourself with its functions. Do not permit operation by persons not qualified for operating the device. Most damage is the result of unprofessional operation.
- Please use the original packaging if the device is to be transported.
- The applicable temperature for the device is between -10°C to 45°C. Do not use the device outside of this temperature range.
- The light source contained in this luminaire shall only be replaced by the manufacturer or his service agent or a similar qualified person.

**For safety reasons, please be aware that all modifications to the device are forbidden.**

**If this device is operated in any way different to the ones described in this manual, the product**

may suffer damage and the warranty becomes void. Furthermore, any other operation may lead to short-circuits, burns, electric shocks etc.

## **2. FEATURES**

### **POWER SUPPLY**

- AC100-240V~, 50/60Hz
- Power Consumption: 550W

### **LIGHT SOURCE**

- LED: White LED 330W 7000K  $\pm$  400K Color Temperature, high CRI @ LEVANTE TC  
White LED 330W 8000 $\pm$  500K Color Temperature @ LEVANTE S
- Extremely long Life: >20,000H

### **MOVEMENT**

- Pan movement: 540° /630°Optional (16 bit)
- Tilt movement: 270° (16 bit)
- Advanced moving system: fast, stable and quite, auto x-y repositioning

### **COLORS**

- CMY color mixing + CTO
- 1 Color wheel: 7 dichroic filters + open, indexable, rainbow effect

### **GOBOS**

- Rotating gobo wheel: 7 interchangeable, rotating, and indexable, gobo+open
- " Slot in & out" gobo wheel system
- Gobo filter diameter: 22.5 mm
- Gobo filter thickness: 0.5 mm
- Gobo image diameter: 19 mm

### **FEATURES**

- 3 Control channel modes: 31/29/50 channels
- 2 Operation modes: DMX-512, Master / Slave mode
- Strobe effect with 1-25 flashes per second and pulse effect
- Zoom: Motorized Zoom system
- Framing system: 4 blades
- Focus: Motorized focus
- Stepless frost: 0%~100% linear change frost
- Stepless iris: 5%~100% linear change iris, pulse iris effect
- Dimmer: 0%~100% full range dimming

### **DISPLAY**

- Advanced and convenient full –color LCD, with rechargeable battery(optional)
- Can be changed 180° reverse to fit for different installation position

## SOFTWARE

8 pre-installed programs available upon selection

Upgrades: fast and convenient through DMX cable with DMX-512 controller

Reset DMX address, remote lamp control, reset can all be done by the DMX controller

Running time of fixture on display for reference

## OTHER SPEC

Input signal isolation: guarantees stable signal transmission without interference

Advanced RDM function

## WEIGHT

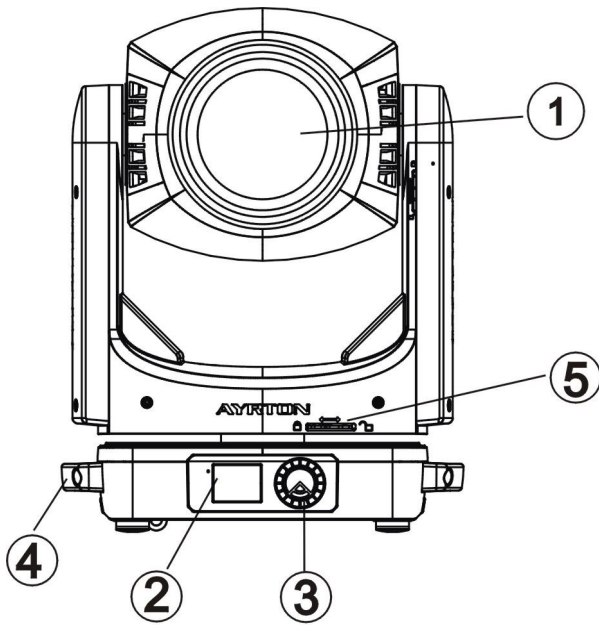
Net weight: 22 kg

## DMX CHANNELCHART

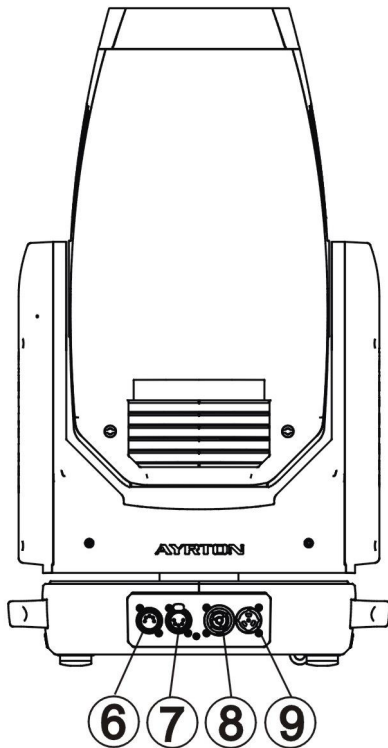
	1	2	3	4	5	6	7	8	9	10	11	12	13
%	Pan	Pan Fine	Tilt	Tilt Fine	Scan Speed	Strobe	Dimmer intensity	Chase Patterns	Chase Speed	Chase Fade	Zoom	Focus	Color
100%		16bit Pan Fine		16bit Tilt Fine	No function			Reserved	Slow to Fast Forward				
75%					Blackout by all wheel changing	RANDOM STROBE		Chase 4		Fade Chase			
50%					Blackout by movement			Chase 3	Stop (Speed=0)				
25%					Min	Pulse-effect in sequence		Chase 2					
0%					Moving speed ↑			Chase 1	Fast to Slow Backward				
					Max			Open					

	14	15	16	17	18	19	20	21	22/24 26/28	23/25 27/29	30	31
%	C	M	Y	CTO	Rota. Gobo	Gobo Rotation	Iris	Frost	Blade 1A/2A/3A/4A	Blade 1B/2B/3B/4B	All Blade Rotation	Auto programs
100%												Program 8
75%						Stop	Pulse opening slow to fast		Close			Program 1
50%							Pulse closing fast to slow				All Blade Rotation	Other motor reset
25%									Open			Unused
0%						GOBO INDEXING						Gobo motor reset
												Colors motor reset
												Scan motor reset
												All motor reset
												Gobo correction On
												Gobo correction Off
												16K
												2.4K
												1.2K
												Linear
												Square Law
												Silence fan control mode
												Studio fan control mode
												Stage fan control mode
												Auto fan control mode
												Display Invert On
												Display Invert Off
												Display On
												Display Off
												Unused

### 3. FIXTURE OVERVIEW



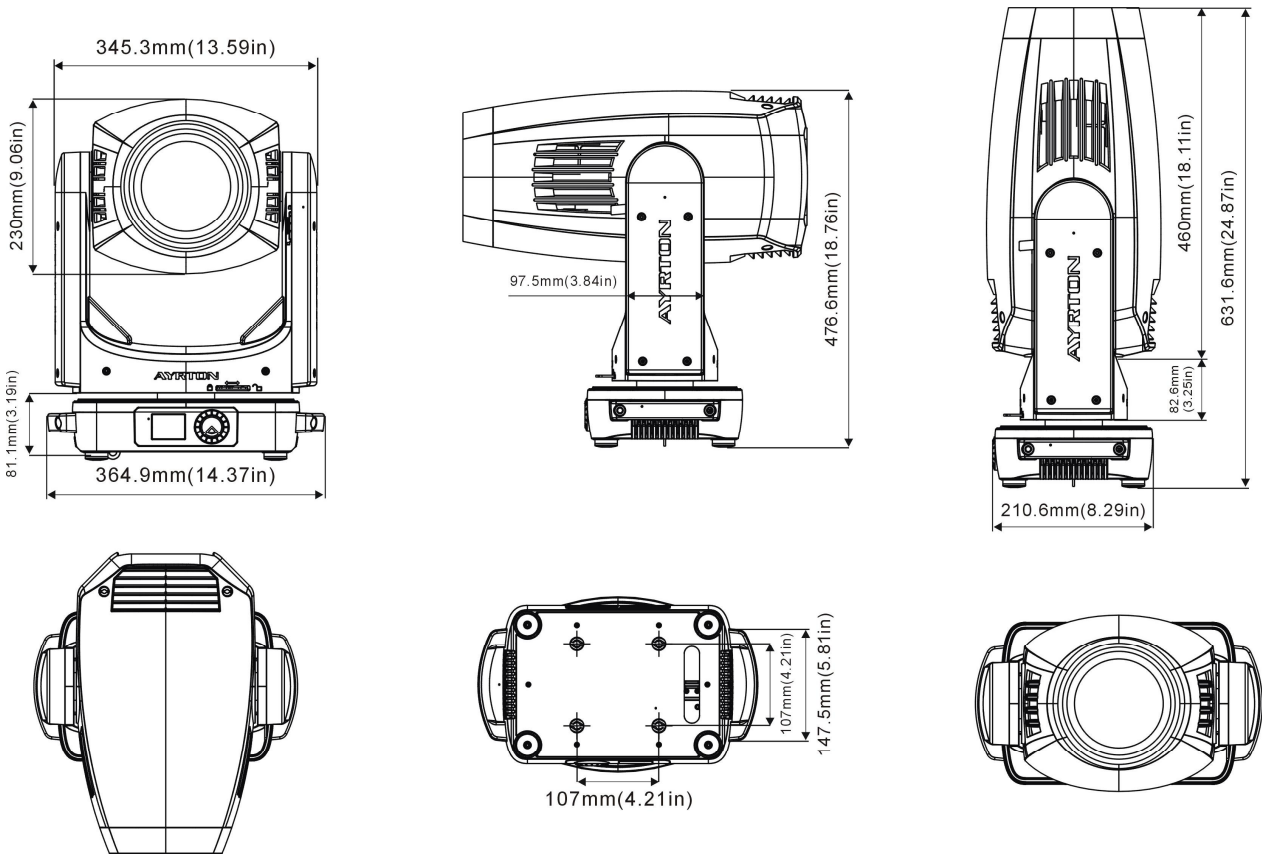
- 1) LED Assembly
- 2) Display
- 3) Rotary knob
- 4) Handle
- 5) Lock button



- 6) DMX Out
- 7) DMX In
- 8) Power Out
- 9) Power In

# 4. DIMENSIONAL DRAWINGS

## 4.1. Fixture Dimension

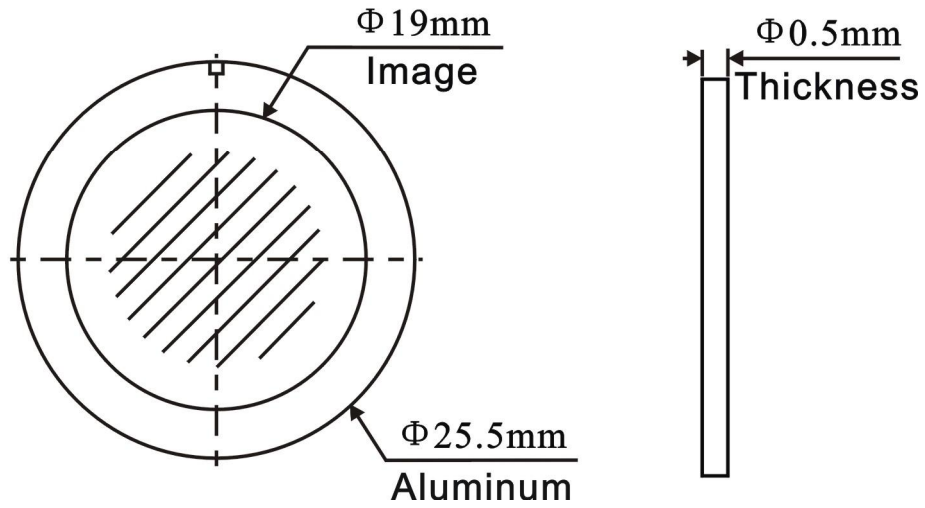




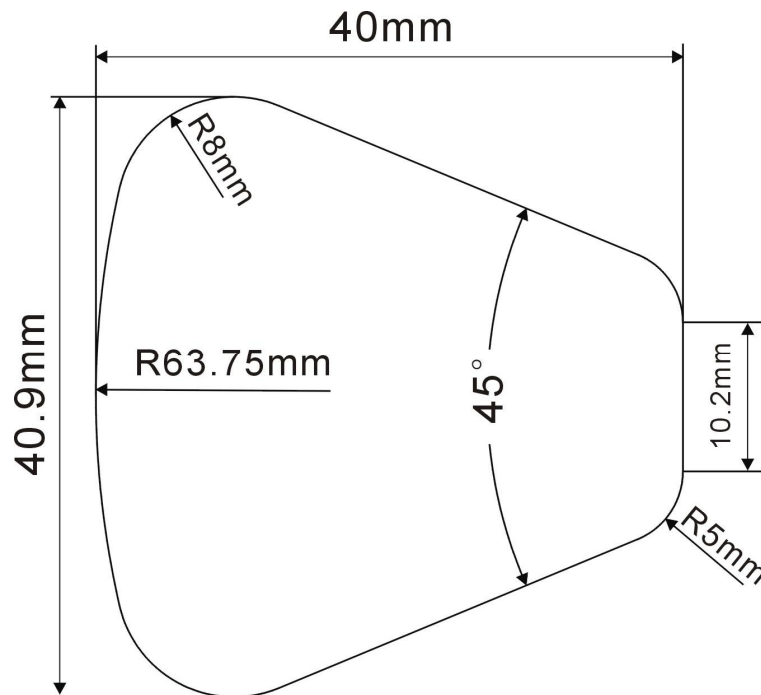
## 4.2. Gobo Filter Dimension

Rotating Gobo:

Black & White Gobo:



## 4.3. Color Filter Dimension



## 5. INSTALLATION INSTRUCTIONS

### 5.1. Rigging the device

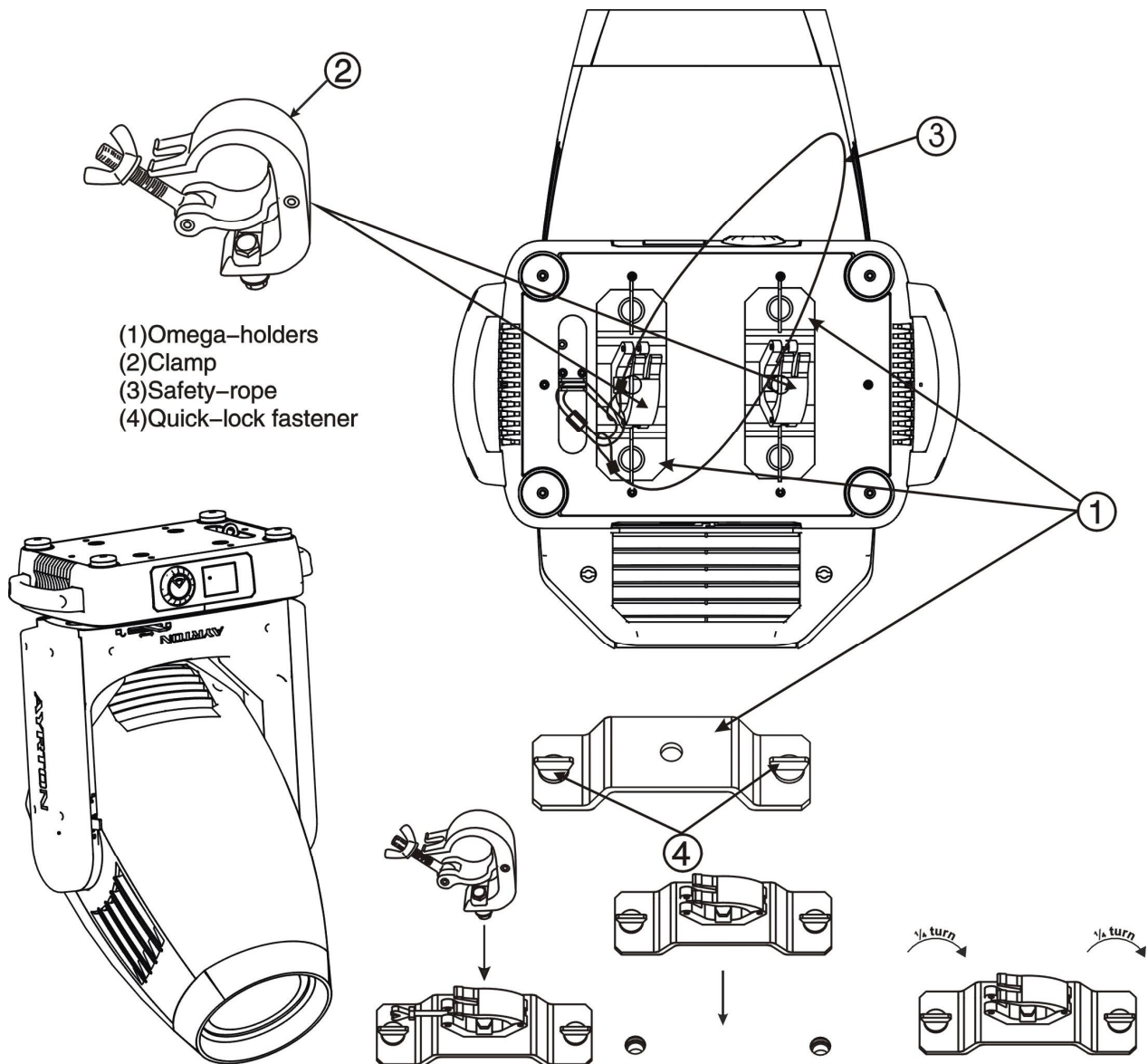


#### **CAUTION!**

PLEASE CONSIDER THE RESPECTIVE NATIONAL NORMS DURING INSTALLATION. THE INSTALLATION MUST ONLY BE CARRIED OUT BY A QUALIFIED PERSON.

- The applicable temperature for the lighting is between -10°C to 45°C. Do not use the lighting under or above the temperature.
- The installation of the effect has to be built and constructed in a way that it can hold 10 times the weight for 1 hour without any harming deformation.
- The installation must always be secured with a secondary safety attachment, e. g. an appropriate safety rope.
- Never stand directly below the device when mounting, removing or servicing the fixture.
- The operator has to make sure the safety relating and machine technical installations are approved by an expert before taking the device into operation for the first time.
- These installations have to be approved by a skilled person once a year.
- Overhead mounting requires extensive experience, including amongst others calculating working load limits, installation material being used, and periodic safety inspection of all installation material and the device. If you lack these qualifications, do not attempt the installation yourself. Improper installation can result in bodily injury.

## 5.2. Rigging using the omega brackets



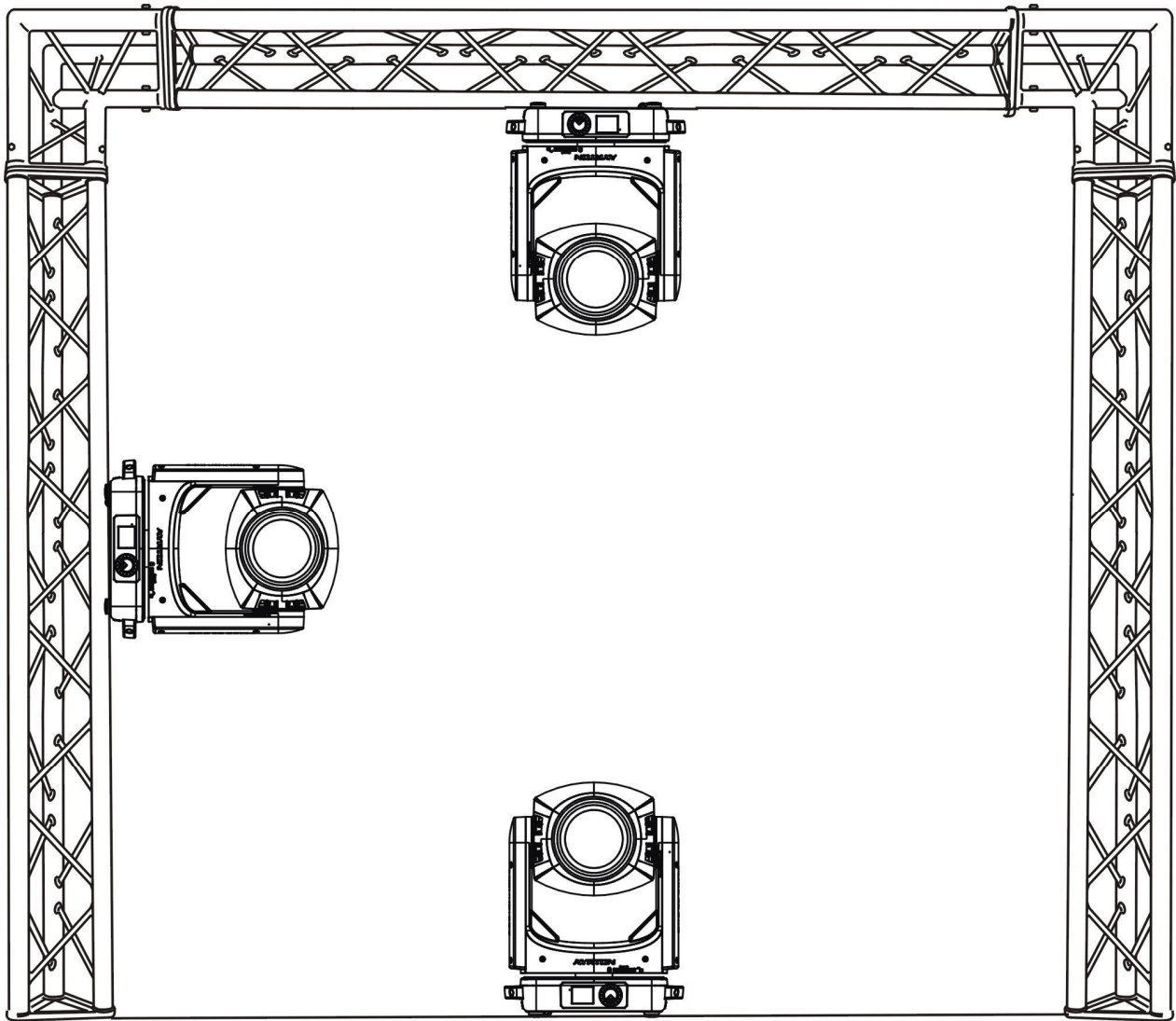
- Fix the clamp to the bracket by tightening the M12 nut and bolt to the bracket through the  $\Phi 13$  hole in the middle of the bracket.
- Insert the quick-lock fasteners of the first Omega holder into the respective holes on the bottom of the device. Tighten the quick-lock fasteners fully clockwise.
- Install the second Omega holder.
- Pull the safety cable through the holes on the bottom of the base and over the trussing system or another suitable rigging point. Insert the end into the carabiner and tighten the safety screw.



### Important:

This step is very important to ensure safe rigging of the fixture.

### 5.3. RIGGING DRAWINGS



- Be sure this fixture is kept at least 0.1m away from any flammable materials (decoration etc. ).
- Always use and install the supplied safety cable as a safety measure to prevent accidental damage and/or injury in the event the clamp fails.

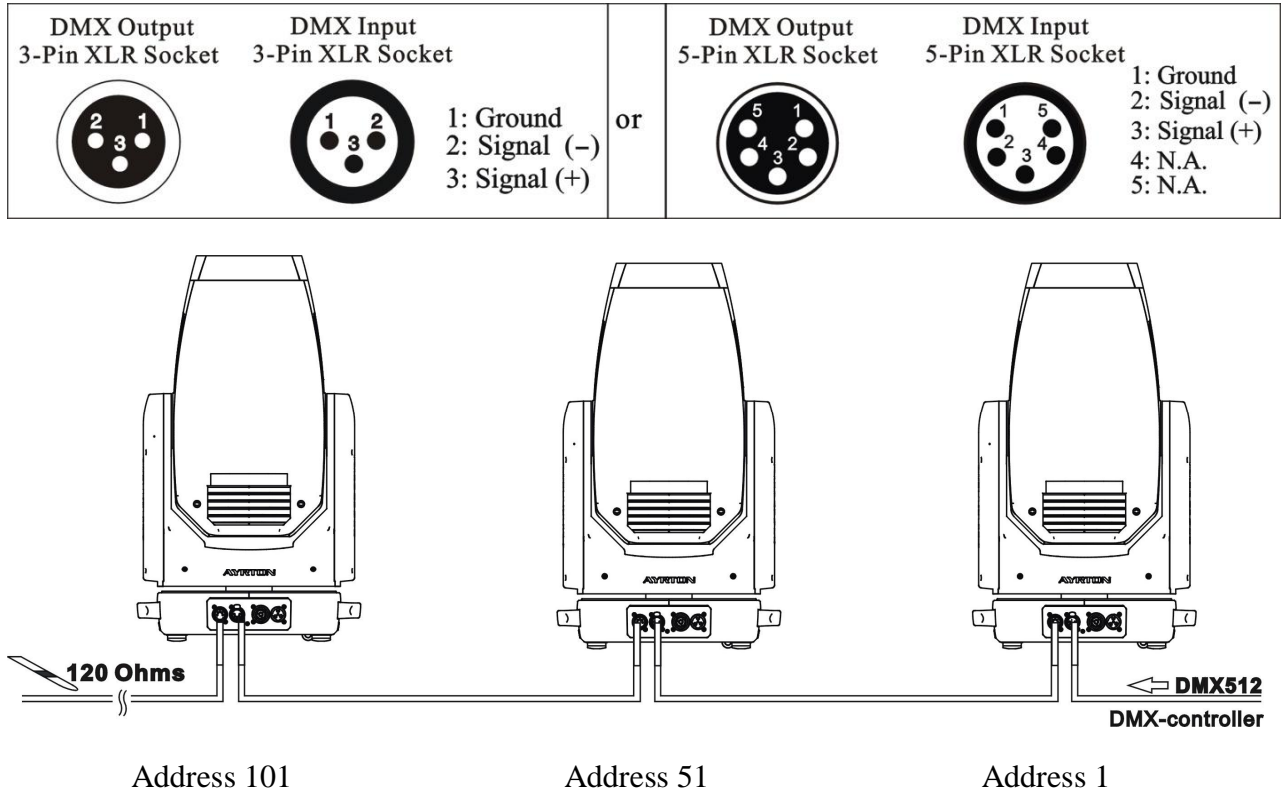


**Important:**

Overhead rigging requires extensive experience , including (but not limited to) calculating working load limits, specifying installation/ rigging materials, and periodic safety inspection of all installation material as well as the device. If you lack these qualifications, do not attempt the rigging of this device yourself. Improper installation/ rigging can result in serious bodily injury.

## 6. DMX-512 CONTROL CONNECTION

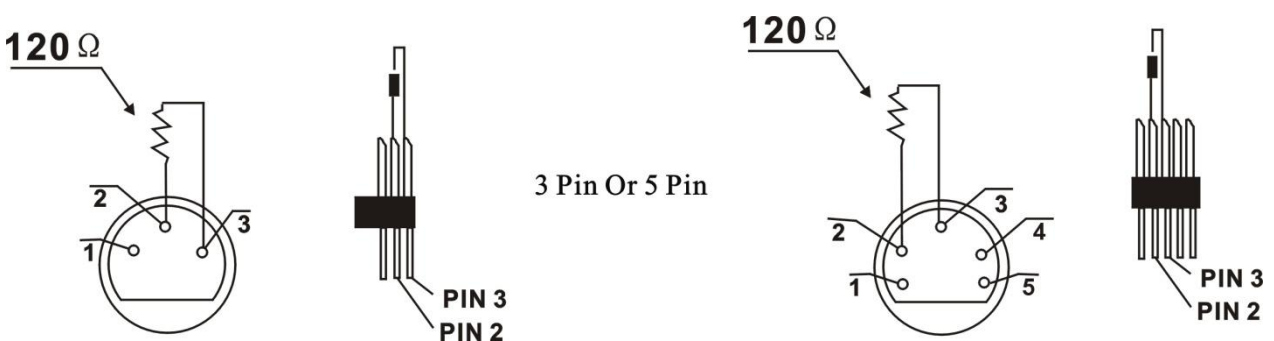
Connect the provided male side of the XLR cable to the female XLR output of your controller and the female side of the XLR cable to the male XLR input of the device. You can connect multiple devices together in a serial fashion. The cable needed should be two core, screened cable with XLR input and output connectors. Please refer to the diagram below.



Series connection number: AC100~120V: Two Pcs; AC200~240V: Four Pcs

## 7. DMX-512 CONNECTION WITH DMX TERMINATOR

For installations where the DMX cable has to run over a long distance or is in an electrically noisy environment, such as in a discotheque, it is recommended to use a DMX terminator. This helps in preventing corruption of the digital control signal caused by electrical noise. The DMX terminator is an XLR plug with a 120 Ω resistor connected between pins 2 and 3, which is then plugged into the output (female) XLR socket of the last fixture in the chain. Please see illustrations below.



## 8. DEVICE DMX START ADDRESS SELECTION

All fixtures should be given a DMX starting address when using a DMX signal, so that the correct fixture responds to the correct control signals. This digital starting address is the channel number from which the fixture starts to "listen" to the digital control information sent out from the DMX controller. The allocation of this starting address is achieved by setting the correct address number on the display located on the base of the device.

You can set the same starting address for all fixtures or a group of fixtures, or set different addresses for each fixture individually.

If you set the same address on all devices, all the devices will start to "listen" to the same control signal from the same channel number. In other words, changing the settings of one channel will affect all the fixtures simultaneously.

If you set a different address, each unit will start to "listen" to the channel number you have set, based on the quantity of control channels of the unit. That means changing the settings of one channel will affect only the selected device.

In the case of the LED moving head, in 50 channel mode, you should set the starting address of the first unit to 1, the second unit to 51 (50 + 1), the third unit to 101 (50 + 51), and so on.

## 9. DISPLAY

The Display offers Rotary knob features: you can set the starting address, run the pre-programmed program or reset the device.

The main menu is accessed by double clicking the rotary knob of rotary knob until the display starts flashing. Browse through the menu by turning rotary knob clockwise or counterclockwise.

Press the Rotary knob for 2 seconds in order to select the desired menu or exit menu, double click the Rotary knob for confirm. After accessing the edit mode, the unit will automatically exit to the main menu after 15 seconds from the last button press. Clockwise is positive direction while counterclockwise is opposite direction.

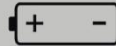
When the unit is powered on, if no data signal is connected after 1 minute, then the display will switch off automatically. The Display does not need external power to operate in case there is battery, hold down the rotary knob for seconds and the Display will turn on by using the unit's battery.

PS: No response when quick press the rotary knob.



**CAUTION!**

THE BATTERY MUST BE A LI-ION RECHARGEABLE BATTERY,  
THE SPECIFICATION IS AS FOLLOWING:



Li-ion Rechargeable Battery  
ICR 14500 3.7V

To install the battery for the first time, please make sure the unit is not connected to AC power. Install the battery in the battery holder, then remove the battery and install it back. This procedure must be done only for the first battery installation.

Default settings shaded

Address	Set Dmx Address	A001~AXXX		DMX address setting
Mode	User Mode	Stand Mode Basic Mode Extend Mode User Mode A User Mode B User Mode C		User's mode to change channel numbers
	Edit User ModeA :	Max channel PAN :		Preset User modes A,B,C :
Options	Status	No DMX Mode Pan Reverse Tilt Reverse Pan Degree Feedback Init PAN Init TILT Pan/Tilt Spd Hibernation	Close/Hold/Auto ON/OFF ON/OFF 630/540 ON/OFF ON/OFF ON/OFF Speed 1~ 4 OFF , 01M~99M	Hold if no DMX Pan Reverse movement Tilt Reverse movement Pan Degree Select Movement Feedback Init PAN Init TILT Movement Speed Stand by Mode
	Service PIN	Service PIN Cross Load SW Clr LED Timer	Password=XXX ON/OFF ON/OFF	Service Password "=050" Cross Load SW Clear the LED time
	Fans Control	Auto Stage Studio Silence		Fans Speed select
	Disp.Setting	Shutoff Time Flip Display Key Lock	02~60m05m ON/OFF ON/OFF	Display shutoff time Reverse 180 degree Key Lock

		DispFlash	ON/OFF	DispFlash
	Signal Select	DMX WDMX		DMX WDMX
	Temp. C/F	Celsius Fahrenheit		Temperature switch between °C/°F
	Initial Pos.	PAN =XXX		Initial effect position
	Wireless DMX	Activate WDMX Act&Data Out Rest WDMX		Activate WDMX Act&Data Out Rest WDMX
	Dim Curve	Square Law Linear		Dim Curve
	Refresh Select	1.2K 2.4K 16K		Refresh Select
	Gobo Correction	ON/OFF		Gobo Correction
	Trigger	DMX Value Disp. Set To Slave Auto Program	PAN..... Slave1,Slave2,Slave3 Master / Alone	DMX Value Disp. Set To Slave Auto Program
	ResetDefault	ON/OFF		Restore factory set.
Info	Time Info.	Current Time Ttl Life Hrs Last Run Hrs LED Hours Timer PIN Clr Last Run		XXXX(Hours) XXXX(Hours) XXXX(Hours) XXXX(Hours) Password=XXX ON/OFF
	Temp. Info	H:XXX°C/°F B:XXX°C/°F		Head&Baes Temp.
	Fan Info.	xxxxRPM		Fan Information
	Software Ver	V1.0.....		Software version
Test	Home	All Pan&Tilt Color Gobo Other		Reset All Reset Pan&Tilt Reset Color Reset Gobo Reset Other
	Test Channel	PAN .....		Test function
	Manual Ctrl.	PAN =XXX :		Fine adjustment of the lamp
	Calibration	-Password- PAN :		Password "050" Calbrate and adjust the effects to standard/right position
Preset	Select Prog.	Prog. Part 1 = Program 1 ~ 10 Prog. Part 2 = Program 1 ~ 10 Prog. Part 3 = Program 1 ~ 10	Program 1 Program 2 Program 3	Select programs to be run
	Edit Prog.	Program 1 : Program 10	Program Test Step 01=SCxxx Step 64=SCxxx	Testing program Program in loop Save and exit
	Edit Scenes	Edit Scene 001	Pan,Tilt,.....	Save and automatically return



		~ Edit Scene 250	--Fade Time-- --Secne Time-- Input By Outside	manual scenes edit
	Scenes Input	XX~XX		Scenes Input

## 9.1. Address

### 9.1.1. Set DMX Address

With this function, you can adjust the desired DMX-address via the Display.

1. Double click to enter the menu.
2. The display will show " ADDRESS" .
3. Double click to enter then display " Set DMX Address" .
4. Turn the rotary knob clockwise then display " A001~AXXX" .
5. Long press to exit the menu.

## 9.2. Users Mode

### 9.2.1. User Mode

With this function, you can create user defined channel orders.

1. Double click to enter the menu, turn the rotary knob clockwise to display " USERS MODE" .
2. Double click to enter to edit.
3. Turn the rotary knob clockwise to display " User mode" .Double click to enter to edit.
4. When in " Extend Mode", turn the rotary knob to select " Basic mode", " Stand Mode", " User Mode A", " User Mode B" and " User Mode C" .
5. Long press to exit the menu.

### 9.2.2. Edit User Mode

With this function, you can adjust the rest user defined channel order.

1. Double click to enter the " USERS MODE" menu, turn the rotary knob until display " Edit User" .
2. Double click to enter " Edit User" menu.
3. Set up " Max Channel=xxx" and select channel value.
4. Set up " Mode B" and " Mode C" by the same way.
5. Long press to exit the menu.

## 9.3. Options

### 9.3.1. Status Settings

#### No DMX Status

With this function, when no DMX signal is detected, the unit will keep the last DMX status or close the shutter or run an automatic sequence. The default is hold.

1. Double click to enter the menu.
2. Turn the rotary knob clockwise then display " Options" .
3. Double click to enter " Options", turn the rotary knob to select " Status" .
4. Double click to enter " Status" menu, The display will show " No DMX Status" .
5. Double click to enter " No DMX Status", The display will show " Hold", Turn the

- rotary knob to select " Close"
6. Long press to exit the menu.

### **Pan Reverse**

With this function you can reverse the Pan-movement.

1. Double click to enter the menu.
2. Turn the rotary knob clockwise then display " Options" .
3. Double click to enter " Options", turn the rotary knob to select " Status" .
4. Double click to enter " Status" menu, The display will show " Pan Reverse" .
5. Double click to enter " Pan Reverse", The display will show " OFF", Turn the rotary knob to select " NO" .
6. Long press to exit the menu.

### **Tilt Reverse**

With this function you can reverse the Tilt-movement.

1. Double click to enter the menu.
2. Turn the rotary knob clockwise then display " Options" .
3. Double click to enter " Options", turn the rotary knob to select " Status" .
4. Double click to enter " Status" menu, The display will show " Tilt Reverse" .
5. Double click to enter " Tilt Reverse", The display will show " OFF", Turn the rotary knob to select " NO" .
6. Long press to exit the menu.

### **Pan Degree**

With this function, you can select pan degree for 630 or 540.

1. Double click to enter the menu.
2. Turn the rotary knob clockwise then display " Options" .
3. Double click to enter " Options", turn the rotary knob to select " Status" .
4. Double click to enter " Status" menu, The display will show " Pan Degree" .
5. Double click to enter " Pan Degree", The display will show " 540", Turn the rotary knob to select " 630" .
6. Long press to exit the menu.

### **Feedback**

With this function, you can feedback switch of pan movement or tilt movement.

1. Double click to enter the menu.
2. Turn the rotary knob clockwise then display " Options" .
3. Double click to enter " Options", turn the rotary knob to select " Status" .
4. Double click to enter " Status" menu, The display will show " Feedback" .
5. Double click to enter " Feedback", The display will show " ON", Turn the rotary knob to select " OFF" .
6. Long press to exit the menu.

### **Init PAN**

1. Double click to enter the menu.
2. Turn the rotary knob clockwise then display " Options" .
3. Double click to enter " Options", turn the rotary knob to select " Status" .

4. Double click to enter " Status" menu, The display will show " Init PAN" .
5. Double click to enter " Init PAN", The display will show " ON", Turn the rotary knob to select " OFF" .
6. Long press to exit the menu.

#### **Init TILT**

1. Double click to enter the menu.
2. Turn the rotary knob clockwise then display " Options" .
3. Double click to enter " Options", turn the rotary knob to select " Status" .
4. Double click to enter " Status" menu, The display will show " Init TILT" .
5. Double click to enter " Init TILT", The display will show " ON", Turn the rotary knob to select " OFF" .
6. Long press to exit the menu.

#### **Pan/Tilt Spd**

With this function, you can select scan mode from 1 to 4.

1. Double click to enter the menu.
2. Turn the rotary knob clockwise then display " Options" .
3. Double click to enter " Options", turn the rotary knob to select " Status" .
4. Double click to enter " Status" menu, The display will show " Pan/Tilt Spd" .
5. Double click to enter " Pan/Tilt Spd", The display will show " Speed 1", Turn the rotary knob to select " Speed 1", " Speed 2", " Speed 3", " Speed 4" .
6. Long press to exit the menu.

#### **Hibernation: Standby mode**

The device and step motors will be power off if the fixture stay without DMX signal for 15 mins (Factory default). And the fixture will be reset before working once it receive DMX signal again.

1. Double click to enter the menu.
2. Turn the rotary knob clockwise then display " Options" .
3. Double click to enter " Options", turn the rotary knob to select " Status" .
4. Double click to enter " Status" menu, The display will show " Hibernation" .
5. Double click to enter " Hibernation", The display will show " OFF", Turn the rotary knob to select " 01M", " 02M" . . . " 99M" .
6. Long press to exit the menu.

### **9.3.2. Service PIN**

#### **Password**

The Password for this function is " 050" .

#### **Cross Load SW**

This function allows you to update one unit from another one

1. Double click to enter the menu.
2. Turn the rotary knob clockwise then display " Options" .
3. Double click to enter " Options", turn the rotary knob to select " Service PIN" .
4. Double click to enter " Cross Load SW" menu, The display will show " Cross Load SW" .
5. Double click to enter " Cross Load SW", The display will show " OFF", Turn the rotary

- knob to select " ON" .
6. Long press to exit the menu.

### **Clr LED Timer**

This function allows you to clear the led time

1. Double click to enter the menu.
2. Turn the rotary knob clockwise then display " Options" .
3. Double click to enter " Options", turn the rotary knob to select " Service PIN" .
4. Double click to enter " Clr LED Timer" menu, The display will show " Clr LED Timer" .
5. Double click to enter " Clr LED Timer", The display will show " OFF", Turn the rotary knob to select " ON" .
6. Long press to exit the menu.

### **9.3.3. Fans Control**

With this function you can set the speed of the running fans. The selections have Auto, Stage and Studio.

1. Double click to enter the menu.
2. Turn the rotary knob clockwise then display " Options" .
3. Double click to enter " Options", turn the rotary knob to select " Fans Control" .
4. Double click to enter " Fans Control" menu, The display will show " Head Control" .
5. Double click to enter " Head Control", The display will show " Auto", Turn the rotary knob to select " Stage" , " Studio" , " Silence" .
6. Long press to exit the menu.

### **9.3.4. Display Setting**

#### **Shut off Time**

With this function you can shut off the LCD display after 2 to 60 minutes. The default is 5 minutes.

1. Double click to enter the menu.
2. Turn the rotary knob clockwise then display " Options" .
3. Double click to enter " Options", turn the rotary knob to select " Display Setting" .
4. Double click to enter " Display Setting" menu, The display will show " Shut off Time" .
5. Double click to enter " Shut off Time", The display will show " 05m", Turn the rotary knob to select " 02~60m" .
6. Long press to exit the menu.

#### **Flip Display**

With this function you can rotate the display by 180°.

1. Double click to enter the menu.
2. Turn the rotary knob clockwise then display " Options" .
3. Double click to enter " Options", turn the rotary knob to select " Display Setting" .
4. Double click to enter " Display Setting" menu, The display will show " Flip Display" .
5. Double click to enter " Flip Display", The display will show " OFF", Turn the rotary knob to select " ON" .
6. Long press to exit the menu.

#### **Key Lock**

With this function you can activate the automatic key lock function. If this function is activated, the keys will be locked automatically after exiting the edit mode for 15 seconds. Keeping press the <MODE/ESC>key for 3 seconds if you do not need this function.

1. Double click to enter the menu.
2. Turn the rotary knob clockwise then display " Options" .
3. Double click to enter " Options", turn the rotary knob to select " Display Setting" .
4. Double click to enter " Display Setting" menu, The display will show " Key Lock" .
5. Double click to enter " Key Lock", The display will show " OFF", Turn the rotary knob to select " ON" .
6. Long press to exit the menu.

### **DispFlash**

With this function you can the entire display to be flipped by 180° to allow for better view when the fixture is hung from truss or a ceiling. This function is disabled as default.

1. Double click to enter the menu.
2. Turn the rotary knob clockwise then display " Options" .
3. Double click to enter " Options", turn the rotary knob to select " Display Setting" .
4. Double click to enter " Display Setting" menu, The display will show " DispFlash" .
5. Double click to enter " DispFlash", The display will show " OFF", Turn the rotary knob to select " ON" .
6. Long press to exit the menu.

### **9.3.5. Signal Select**

1. Double click to enter the menu.
2. Turn the rotary knob clockwise then display " Options" .
3. Double click to enter " Options", turn the rotary knob to select " Signal Select" .
4. Double click to enter " Signal Select", The display will show " DMX", Turn the rotary knob to select " DMX", " WDMX" .
5. Long press to exit the menu.

### **9.3.6. Temperature C/F**

With this function you can display the temperature in Celsius or Fahrenheit.

1. Double click to enter the menu.
2. Turn the rotary knob clockwise then display " Options" .
3. Double click to enter " Options", turn the rotary knob to select " Temperature C/F" .
4. Double click to enter " Temperature C/F", The display will show " Celsius", Turn the rotary knob to select " Fahrenheit" .
5. Long press to exit the menu.

### **9.3.7. Initial Pos.**

With this function you can display initial effect position.

1. Double click to enter the menu.
2. Turn the rotary knob clockwise then display " Options" .
3. Double click to enter " Options", turn the rotary knob to select " Initial Pos. " .
4. Double click to enter " Initial Pos. ", The display will show " PAN=XXX" .

5. Long press to exit the menu.

### 9.3.8. Wireless DMX

From factory, this projector is prepared for wireless data transmission (W-DMX). If you wish to de-activate W-DMX control, you can select the function " De-activate WDMX" by turning the encoder. With the function " rest" , you can log out the projector from the wireless sender.

1. Double click to enter the menu.
2. Turn the rotary knob clockwise then display " Options" .
3. Double click to enter " Options", turn the rotary knob to select " Wireless DMX" .
4. Double click to enter " Wireless DMX", The display will show " Activate WDMX", Turn the rotary knob to select " Act&Data Out" , " Rest WDMX" .
5. Long press to exit the menu.

### 9.3.9. Dim Curve

1. Double click to enter the menu.
2. Turn the rotary knob clockwise then display " Options" .
3. Double click to enter " Options", turn the rotary knob to select " Dim Curve" .
4. Double click to enter " Dim Curve", The display will show " Square Law", Turn the rotary knob to select " Linear" .
5. Long press to exit the menu.

### 9.3.10. Refresh Select

1. Double click to enter the menu.
2. Turn the rotary knob clockwise then display " Options" .
3. Double click to enter " Options", turn the rotary knob to select " Refresh Select" .
4. Double click to enter " Refresh Select", The display will show " 1.2K", Turn the rotary knob to select " 2.4K", " 16K" .
5. Long press to exit the menu.

### 9.3.11. Gobo Correction

1. Double click to enter the menu.
2. Turn the rotary knob clockwise then display " Options" .
3. Double click to enter " Options", turn the rotary knob to select " Gobo Correction" .
4. Double click to enter " Gobo Correction", The display will show " ON", Turn the rotary knob to select " OFF" .
5. Long press to exit the menu.

### 9.3.12. Trigger

#### DMX Value Disp.

With this function you can display the DMX 512 value of each channel. The display automatically shows the channel with a value changing.

1. Double click to enter the menu.
2. Turn the rotary knob clockwise then display " Options" .
3. Double click to enter " Options", turn the rotary knob to select " Trigger" .
4. Double click to enter " Trigger" menu, The display will show " DMX Value Disp" .
5. Double click to enter " DMX Value Disp", The display will show " PAN=....." .
6. Long press to exit the menu.

### **Set To Slave**

With this function, you can define the device as slave.

1. Double click to enter the menu.
2. Turn the rotary knob clockwise then display " Options" .
3. Double click to enter " Options", turn the rotary knob to select " Trigger" .
4. Double click to enter " Trigger" menu, The display will show " Set To Slave" .
5. Double click to enter " Set To Slave", The display will show " Slave1", " Slave2", " Slave3" .
6. Long press to exit the menu.

### **Auto Program**

With this function, you can run the internal program. You can select the desired program under " **Selectprogram**" . You can set the number of steps under " **Edit program**" . You can edit the individual scenes under " **Edit scenes**" . With this function, you can run the individual scenes either automatically, i. e. with the adjusted Step-Time.

1. Double click to enter the menu.
2. Turn the rotary knob clockwise then display " Options" .
3. Double click to enter " Options", turn the rotary knob to select " Trigger" .
4. Double click to enter " Trigger" menu, The display will show " Auto Program" .
5. Double click to enter " Auto Program", The display will show " Master", " Alone" .
6. Long press to exit the menu.

#### **9.3.13. Reset Default**

With this function, you can select restore factory set for ON or OFF, the default is OFF.

1. Double click to enter the menu.
2. Turn the rotary knob clockwise then display " Options" .
3. Double click to enter " Options", turn the rotary knob to select " Reset Default" .
4. Double click to enter " Reset Default" menu, The display will show " OFF", Turn the rotary knob to select " ON" .
5. Long press to exit the menu.

## **9.4. Info**

### **9.4.1. Time information**

#### **Current Time**

With this function, you can display the temporary running time of the device from the last power on. The display shows " XXXX" , " XXXX" stands for the number of hours. The counter is reset after turning the device off.

1. Double click to enter the menu.
2. Turn the rotary knob clockwise then display " Info" .
3. Double click to enter " Info", turn the rotary knob to select " Time Info." .
4. Double click to enter " Time Info.", The display will show " Current Time" .
5. Double click to enter " Current Time", The display will show " XXXX (Hours)" .
6. Long press to exit the menu.

#### **TtlLifeHrs**

With this function, you can display the running time of the device. The display shows " XXXX" , " XXXX" stands for the number of hours.

1. Double click to enter the menu.
2. Turn the rotary knob clockwise then display " Info" .
3. Double click to enter " Info", turn the rotary knob to select " Time Info." .
4. Double click to enter " Time Info.", The display will show " TtlLifeHrs" .
5. Double click to enter " TtlLifeHrs", The display will show " XXXX (Hours)" .
6. Long press to exit the menu.

### **Last Run Hrs**

With this function, you can display last the running time of the device. The display shows " XXXX" , " XXXX" stands for the number of hours.

1. Double click to enter the menu.
2. Turn the rotary knob clockwise then display " Info" .
3. Double click to enter " Info", turn the rotary knob to select " Time Info." .
4. Double click to enter " Time Info.", The display will show " Last Run Hrs" .
5. Double click to enter " Last Run Hrs", The display will show " XXXX (Hours)" .
6. Long press to exit the menu.

### **LED Hours**

With this function, you can display the led hours. The display shows " XXXX", " XXXX" stands for the number of hours.

1. Double click to enter the menu.
2. Turn the rotary knob clockwise then display " Info" .
3. Double click to enter " Info", turn the rotary knob to select " Time Info." .
4. Double click to enter " Time Info.", The display will show " LED Hours" .
5. Double click to enter " LED Hours", The display will show " XXXX (Hours)" .
6. Long press to exit the menu.

### **Timer PIN**

With this function, you can enter the timer password.

1. Double click to enter the menu.
2. Turn the rotary knob clockwise then display " Info" .
3. Double click to enter " Info", turn the rotary knob to select " Time Info." .
4. Double click to enter " Time Info.", The display will show " Timer PIN" .
5. Double click to enter " Timer PIN", The display will show " Password=038" .
6. Long press to exit the menu.

### **Clr Last Run**

With this function, you can clear last run time of the fixture. The display shows " ON" or " OFF", Press " Enter" to confirm.

1. Double click to enter the menu.
2. Turn the rotary knob clockwise then display " Info" .
3. Double click to enter " Info", turn the rotary knob to select " Time Info." .
4. Double click to enter " Time Info.", The display will show " Clear Last Run" .
5. Double click to enter " Clear Last Run", The display will show " OFF", turn the rotary



- knob to select " ON" .
6. Long press to exit the menu.

#### 9.4.2. Temp. Info

##### HeadTemp.

With this function you can display the temperature on the display board of the base (near CMY-filter) in Celsius.

1. Double click to enter the menu.
2. Turn the rotary knob clockwise then display " Info" .
3. Double click to enter " Info", turn the rotary knob to select " Temp Info" .
4. Double click to enter " Temp Info", The display will show " Head Temp. " .
5. Double click to enter " Head Temp. ", The display will show " H:XXX°C/°F B:XXX°C /°F " .
6. Long press to exit the menu.

#### 9.4.3. Fan Info.

1. Double click to enter the menu.
2. Turn the rotary knob clockwise then display " Info" .
3. Double click to enter " Info", turn the rotary knob to select " Fan Info." .
4. Double click to enter " Fan Info.", The display will show " xxxxRPM" .
5. Long press to exit the menu.

#### 9.4.4. Software Ver

With this function, you can display the software version of the device.

1. Double click to enter the menu.
2. Turn the rotary knob clockwise then display " Info" .
3. Double click to enter " Info", turn the rotary knob to select " Software Ver" .
4. Double click to enter " Software Ver", The display will show " V1.0....." .
5. Long press to exit the menu.

### 9.5. Test

#### 9.5.1. Home

With this function you can reset the device via the Control Board. You can select the different reset functions by turning the encoder.

1. Double click to enter the menu.
2. Turn the rotary knob clockwise then display " Test" .
3. Double click to enter " Test", turn the rotary knob to select " Home" .
4. Double click to enter " Home", The display will show " All", Turn the rotary knob to select " All", " Pan&Tilt", " Color", " Gobo", " Other" .
5. Long press to exit the menu.

#### 9.5.2. Test Channel

With this function you can test each channel's function to ensure correct operation.

1. Double click to enter the menu.
2. Turn the rotary knob clockwise then display " Test" .

3. Double click to enter " Test", turn the rotary knob to select " Test Channel" .
4. Double click to enter " Test Channel", The display will show " Pan", Turn the rotary knob to select other channel.
5. Long press to exit the menu.

### 9.5.3. Manual Control

When set to Manual Mode, fixture will be back to factory settings. If want to adjust brightness, can adjust by shutter and dimming channel, channel value is 0-255. Other functions can be set according to user's real need.

1. Double click to enter the menu.
2. Turn the rotary knob clockwise then display " Test" .
3. Double click to enter " Test", turn the rotary knob to select " Manual control" .
4. Double click to enter " Manual control", The display will show " PAN=XXX" .
5. Long press to exit the menu.

### 9.5.4. Calibration

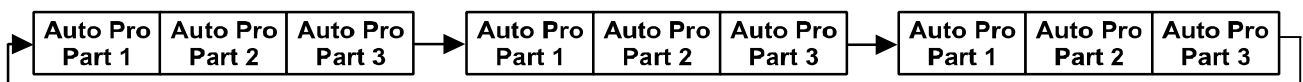
With this function, you can calibrate and adjust the effect wheels to their correct positions. The password of calibrate values is 050.

1. Double click to enter the menu.
2. Turn the rotary knob clockwise then display " Test" .
3. Double click to enter " Test", turn the rotary knob to select " Calibration" .
4. Double click to enter " Calibration", The display will show " Password=050" .
5. Long press to exit the menu.

## 9.6. Preset

1. Double click to enter the menu.
2. Turn the rotary knob clockwise then display " Preset" .
3. Double click to enter " Preset", turn the rotary knob to select " Select prog.", " Edit prog.", " Edit Scenes", " Scenes Input" .
4. Long press to exit the menu.

Run the auto program: A master fixture can output to three different program signals to the slave fixture to operate. It means the host will send cyclically in the following orders (The host will keep operating the program of Part 1) Then the slave fixture will make the selectively receiving according to its own set.



1. If the slave fixture chooses Run For Slave 1 from the menu of 1-3, then it will receive the part 1's automatic program from link, in the same way, when the slave fixture chooses Run For Slave 2, then it will receive the part 2's automatic program from link.
2. Enter the menu of 1-3 Function Mode---Set To Slave, Here to set machine operate which part of the program during the host-slave connection
3. Enter the menu of 1-4, 1-5 Function Mode---Set To Master
4. Enter the menu of 8-1 Edit Program---Auto Program Part1. The host outputs three groups driven program---Part1, Part2, Part3(Part1 program runs the same effect as the host)

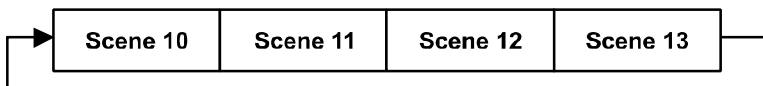
5. Enter the menu of 8-2 Edit Program---Edit Program. Edit the program's connection, connect the scene in order
6. The editor of the scene, there are as many as 250 scenario editors, and every scene can have a program connection of 10.

**Note:**

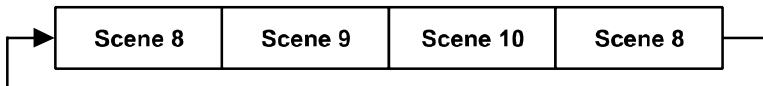
Part 2, Part3 repeat in accordance with the Part1's repeat. For example: When Part 1 uses Program 2, Part 2 uses Program 4, Part 3 uses Program 6, Assume: Program 2 includes scene of 10, 11, 12, 13; Program4 includes scene of 8, 9, 10; Program 6 includes scene of12, 13, 14, 15; Then it will run as below.

Example:

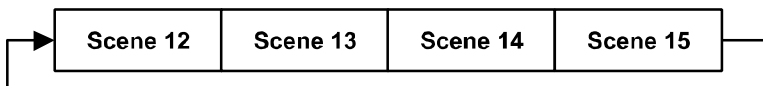
**Part 1:**



**Part 2:**



**Part 3:**



## 10. DMX PROTOCOL

DMX channel's functions and their values (50 DMX channels):				
Mode/Channel			Value	Function
St	Ba	Ex		
1	1	1		<b><u>PAN Movement 8bit :</u></b>
			0-255	Pan Movement
2		2		<b><u>Pan Fine 16bit</u></b>
			0-255	Fine control of Pan movement
3	2	3		<b><u>TILT Movement 8bit :</u></b>
			0-255	Tilt Movement
4		4		<b><u>Tilt Fine 16bit</u></b>
			0-255	Fine control of Tilt movement
5	3	5		<b><u>Speed Pan/Tilt movement:</u></b>
			0-225	max to min speed
			226-235	blackout by movement

			236-245	blackout by all wheel changing
			246-255	no function
6	4	6		<b><u>Shutter, strobe:</u></b>
			0-10	Shutter closed
			11-20	No function (shutter open)
			21-117	Strobe effect slow to fast
			118-126	No function (shutter open)
			127-180	Pulse-effect in sequences
			181-191	No function (shutter open)
			192-245	Random strobe effect slow to fast
			246-255	No function (shutter open)
7	5	7		<b><u>Dimmer intensity:</u></b>
			0-255	Intensity 0 to 100%
		8		<b><u>Fine Dimmer intensity:</u></b>
			0-255	Dimmer intensity fine
8	6	9		<b><u>Chase Patterns:</u></b>
			0-9	Open
			10-19	Chase 1
			20-29	Chase 2
			30-39	Chase 3
			40-49	Chase 4
			50-255	Reserved
9	7	10		<b><u>Chase Speed:</u></b>
			0-125	Fast to Slow Backward
			126-130	Stop(Speed=0)
			131-255	Slow to Fast Forward
10	8	11		<b><u>Chase Fade:</u></b>
			0-255	Fade Chase
11	9	12		<b><u>Zoom :</u></b>
			0-255	Zoom adjustment from small to big
		13		<b><u>Zoom Fine:</u></b>
			0-255	Zoom adjustment Fine
12	10	14		<b><u>Focus :</u></b>
			0-255	Continuous adjustment from near to far
		15		<b><u>Focus Fine:</u></b>
			0-255	Continuous adjustment Fine
13	11	16		<b><u>Color Wheel:</u></b>
			0-3	Open / white
			4-7	Color 1(CTB)
			8-11	Color 2(Magenta)
			12-15	Color 3(Congo Blue)
			16-19	Color 4(Green)
			20-23	Color 5(Orange)

			24-27	Color 6(Light Blue)
			28-31	Color 7(Red)
			32-127	Color indexing
			128-189	Forwards rainbow effect from fast to slow
			190-193	No rotation
			194-255	Backwards rainbow effect from slow to fast
		17		<b><u>Color Wheel Fine :</u></b>
			0-255	Color Wheel colour change to any position Fine
14	12	18		<b><u>Cyan Color :</u></b>
			0-255	Cyan (0-white, 255-100% Cyan)
		19		<b><u>Cyan Color Fine :</u></b>
			0-255	Cyan Fine
15	13	20		<b><u>Magenta Color :</u></b>
			0-255	Magenta (0-white, 255-100% magenta)
		21		<b><u>Magenta Color Fine :</u></b>
			0-255	Magenta Fine
16	14	22		<b><u>Yellow Color :</u></b>
			0-255	Yellow (0-white, 255-100% Yellow)
		23		<b><u>Yellow Color Fine :</u></b>
			0-255	Yellow Fine
17	15	24		<b><u>CTO Color :</u></b>
			0-255	CTO (0-white, 255-100% CTO)
		25		<b><u>CTO Color Fine :</u></b>
			0-255	CTO Fine
18	16	26		<b><u>Rotating gobos, cont. rotation 1:</u></b>
			0-9	Open
			10-19	Rot. gobo 1
			20-29	Rot. gobo 2
			30-39	Rot. gobo 3
			40-49	Rot. gobo 4
			50-59	Rot. gobo 5
			60-69	Rot. gobo 6
			70-77	Rot. Gobo 7
			78-93	Gobo 1 shake slow to fast
			94-109	Gobo 2 shake slow to fast
			110-125	Gobo 3 shake slow to fast
			126-141	Gobo 4 shake slow to fast
			142-157	Gobo 5 shake slow to fast
			158-173	Gobo 6 shake slow to fast
			174-189	Gobo 7 shake slow to fast
			190-221	Gobo wheel rotation forwards from fast to slow
			222-223	No rotation
			224-255	Gobo wheel rotation f backwards from slow to fast

19	17	27		<b><u>Rotating gobo index,rotating gobo rotation 1:</u></b>
			0-127	Gobo indexing
			128-189	Forwards gobo rotation from fast to slow
			190-193	No rotation
			194-255	Backwards gobo rotation from slow to fast
		28		<b><u>Rotating gobo indexing Fine 1:</u></b>
			0-255	Fine indexing
20	18	29		<b><u>Iris:</u></b>
			0-191	Max. diameter to Min.diameter
			192-223	Pulse closing fast to slow
			224-255	Pulse opening slow to fast
		30		<b><u>Iris Fine:</u></b>
			0-255	Iris Fine
21	19	31		<b><u>Frost:</u></b>
			0-255	0-100% Frost
22	20	32		<b><u>Blade 1 A :</u></b>
			0-255	Open to Close
		33		<b><u>Blade 1 A Fine :</u></b>
			0-255	Open to Close Fine
23	21	34		<b><u>Blade 1 B:</u></b>
			0-255	Open to Close
		35		<b><u>Blade 1 B Fine:</u></b>
			0-255	Open to Close Fine
24	22	36		<b><u>Blade 2 A:</u></b>
			0-255	Open to Close
		37		<b><u>Blade 2 A Fine:</u></b>
			0-255	Open to Close Fine
25	23	38		<b><u>Blade 2 B:</u></b>
			0-255	Open to Close
		39		<b><u>Blade 2 B Fine:</u></b>
			0-255	Open to Close Fine
26	24	40		<b><u>Blade 3 A:</u></b>
			0-255	Open to Close
		41		<b><u>Blade 3 A Fine:</u></b>
			0-255	Open to Close Fine
27	25	42		<b><u>Blade 3 B:</u></b>
			0-255	Open to Close
		43		<b><u>Blade 3 B Fine:</u></b>
			0-255	Open to Close Fine
28	26	44		<b><u>Blade 4 A:</u></b>
			0-255	Open to Close
		45		<b><u>Blade 4 A Fine :</u></b>
			0-255	Open to Close Fine
29	27	46		<b><u>Blade 4 B:</u></b>

			0-255	Open to Close
		47		<b><u>Blade 4 B Fine:</u></b>
			0-255	Open to Close Fine
30	28	48		<b><u>All Blade Rotation:</u></b>
			0-255	All Blade Rotation
		49		<b><u>All Blade Rotation Fine:</u></b>
			0-255	All Blade Rotation Fine
31	29	50		<b><u>CONTROL, reset, internal programs:</u></b>
			0-4	Unused
			5-9	Display Off
			10-14	Display On
			15-19	Display Invert Off
			20-24	Display Invert On
			25-29	Auto fan control mode
			30-34	Stage fan control mode
			35-39	Studio fan control mode
			40-44	Silence fan control mode
			45-49	Square Law
			50-54	Linear
			55-59	1.2K
			60-64	2.4K
			65-69	16K
			70-74	Gobo correction Off
			75-79	Gobo correction On
			80-84	All motor reset
			85-87	Scan motor reset
			88-90	Colors motor reset
			91-93	Gobo motor reset
			94-96	unused
			97-99	Other motor reset
			100-119	Internal program 1 (scene1~8 of EEPROM)
			120-139	Internal program 2 (scene9~16 of EEPROM)
			140-159	Internal program 3 (scene17~24 of EEPROM)
			160-179	Internal program 4 (scene25~32 of EEPROM)
180-199	Internal program 5 (scene33~40 of EEPROM)			
200-219	Internal program 6 (scene41~48 of EEPROM)			
220-239	Internal program 7 (scene49~56 of EEPROM)			
240-255	Internal program 8 (scene49~56 of EEPROM)			

## 11. ERROR MESSAGES

When you turn on the device, it will first perform a reset. The display may show " Err channel is XX" should there be problems with one or more functions. " XX" stands for channel 1, 2, 3, 4, 5, 6 etc whose sensor has encountered a problem. For example, when the display shows " Err channel is Pan movement", it means there is an error on channel 1. If there are errors on channel 1, channel 3, channel 6 at the same time, you may see the error message, " Err channel is Pan movement", " Err channel is Tilt movement" " Err channel is Shutter", flash twice, and then the device will generate a second reset. If the error messages persist after performing a reset more than twice, the channels which have errors may not work properly however, all other functions can work as usual. Please contact your dealer or manufacturer for service. Self repair is not allowed.

### **PAN- movement Er**

(PAN- yoke movement error) This message will appear after the reset of the fixture if the yoke's magnetic-indexing circuit malfunction (Optical Sensor or Magnetic Sensor fails) or the stepper motor is defective (or its driving IC on the main PCB). The PAN-movement is not located in the default position after the reset.

### **TILT- movement Er**

(TILT- head movement error) This message will appear after the reset of the fixture if the head's magnetic-indexing circuit malfunctions ((Optical Sensor or Magnetic Sensor fails)) or the stepper motor is defective (or its driving IC on the main PCB). The TILT-movement is not located in the default position after the reset.

### **Zoom wheel Er**

(Zoomwheel error) This message will appear after the reset of the fixture if the head's magnetic-indexing circuit malfunctions (Optical Sensor or Magnetic Sensor fails) or the stepper motor is defective (or its driving IC on the main PCB). The Zoom -movement is not located in the default position after the reset.

### **Focus wheel Er**

(Focuswheel error) This message will appear after the reset of the fixture if the head's magnetic-indexing circuit malfunctions (Optical Sensor or Magnetic Sensor fails) or the stepper motor is defective (or its driving IC on the main PCB). The Focus -movement is not located in the default position after the reset.

### **Color wheel Er**

(Color wheel- error) This message will appear after the reset of the fixture if the head's magnetic-indexing circuit malfunctions (sensor failed or magnet missing) or the stepper motor is defective (or its driving IC on the main PCB). The Color - movement is not located in the default position after the reset.

### **Cyan Color wheel Er**

(Cyan Color wheel- error) This message will appear after the reset of the fixture if the head's magnetic-indexing circuit malfunctions (sensor failed or magnet missing) or the stepper motor is defective (or its driving IC on the main PCB). The CMY -movement is not located in the default position after the reset.



**Magenta Color wheel Er**

(Magenta Color wheel- error) This message will appear after the reset of the fixture if the head's magnetic-indexing circuit malfunctions (sensor failed or magnet missing) or the stepper motor is defective (or its driving IC on the main PCB). The CMY -movement is not located in the default position after the reset.

**Yellow Color wheel Er**

(Yellow Color wheel- error) This message will appear after the reset of the fixture if the head's magnetic-indexing circuit malfunctions (sensor failed or magnet missing) or the stepper motor is defective (or its driving IC on the main PCB). The CMY -movement is not located in the default position after the reset.

**CTO wheel Er**

(CTO wheel- error) This message will appear after the reset of the fixture if the head's magnetic-indexing circuit malfunctions (sensor failed or magnet missing) or the stepper motor is defective (or its driving IC on the main PCB). The CTO -movement is not located in the default position after the reset.

**Rot\_Gobo wheel Er**

(Rot\_Gobo wheel - error) This message will appear after the reset of the fixture if the head's magnetic-indexing circuit malfunctions (sensor failed or magnet missing) or the stepper motor is defective (or its driving IC on the main PCB). The Rot\_Gobo - movement is not located in the default position after the reset.

**Iris wheel Er**

(Iris wheel - error) This message will appear after the reset of the fixture if the head's magnetic-indexing circuit malfunctions (sensor failed or magnet missing) or the stepper motor is defective (or its driving IC on the main PCB). The Iris - movement is not located in the default position after the reset.

**Frost wheel Er**

(Frost wheel - error) This message will appear after the reset of the fixture if the head's magnetic-indexing circuit malfunctions (sensor failed or magnet missing) or the stepper motor is defective (or its driving IC on the main PCB). The Frost - movement is not located in the default position after the reset.

**BLADE 1 wheel Er**

(BLADE 1 wheel - error) This message will appear after the reset of the fixture if the head's magnetic-indexing circuit malfunctions (sensor failed or magnet missing) or the stepper motor is defective (or its driving IC on the main PCB). The BLADE 1 - movement is not located in the default position after the reset.

**BLADE 1\_ROT wheel Er**

(BLADE 1\_ROT wheel - error) This message will appear after the reset of the fixture if the head's magnetic-indexing circuit malfunctions (sensor failed or magnet missing) or the stepper motor is defective (or its driving IC on the main PCB). The BLADE 1\_ROT - movement is not located in the default position after the reset.

**BLADE 2 wheel Er**

(BLADE 2 wheel - error) This message will appear after the reset of the fixture if the head's magnetic-indexing circuit malfunctions (sensor failed or magnet missing) or the stepper motor is defective (or its driving IC on the main PCB). The BLADE 2 - movement is not located in the default position after the reset.

**BLADE 2\_ROT wheel Er**

(BLADE 2\_ROT wheel - error) This message will appear after the reset of the fixture if the head's magnetic-indexing circuit malfunctions (sensor failed or magnet missing) or the stepper motor is defective (or its driving IC on the main PCB). The BLADE 2\_ROT - movement is not located in the default position after the reset.

**BLADE 3 wheel Er**

(BLADE 3 wheel - error) This message will appear after the reset of the fixture if the head's magnetic-indexing circuit malfunctions (sensor failed or magnet missing) or the stepper motor is defective (or its driving IC on the main PCB). The BLADE 3 - movement is not located in the default position after the reset.

**BLADE 3\_ROT wheel Er**

(BLADE 3\_ROT wheel - error) This message will appear after the reset of the fixture if the head's magnetic-indexing circuit malfunctions (sensor failed or magnet missing) or the stepper motor is defective (or its driving IC on the main PCB). The BLADE 3\_ROT - movement is not located in the default position after the reset.

**BLADE 4 wheel Er**

(BLADE 4 wheel - error) This message will appear after the reset of the fixture if the head's magnetic-indexing circuit malfunctions (sensor failed or magnet missing) or the stepper motor is defective (or its driving IC on the main PCB). The BLADE 4 - movement is not located in the default position after the reset.

**BLADE 4\_ROT wheel Er**

(BLADE 4\_ROT wheel - error) This message will appear after the reset of the fixture if the head's magnetic-indexing circuit malfunctions (sensor failed or magnet missing) or the stepper motor is defective (or its driving IC on the main PCB). The BLADE 4\_ROT - movement is not located in the default position after the reset.

**ALL\_BLADE\_ROT wheel Er**

(ALL\_BLADE\_ROT wheel - error) This message will appear after the reset of the fixture if the head's magnetic-indexing circuit malfunctions (sensor failed or magnet missing) or the stepper motor is defective (or its driving IC on the main PCB). The ALL\_BLADE\_ROT - movement is not located in the default position after the reset.

## 12. CLEANING AND MAINTENANCE

The following points have to be considered during inspection:

- 1) All screws for installing the devices or parts of the device have to be tightly connected and must not be corroded.
  - 2) There must not be any deformations to the housing, lenses, rigging and installation points (ceiling, suspension, trussing).
  - 3) Motorized parts must not show any signs of wear and must move smoothly without issue.
  - 4) The power supply cables must not show any damage, material fatigue or sediment.
- Further instructions depending on the installation location and usage have to be adhered to by a qualified installer and any safety concerns have to be removed.



### CAUTION!

Disconnect from mains before starting maintenance operation.

In order to ensure the device remains in good condition and does not fail prematurely, we suggest regular maintenance.

- 1) Clean the inside and outside lens each week to avoid loss of output due to accumulation of dust/ dirt on the lens.
- 2) Clean the fans each week to ensure maximum airflow and efficient thermal cooling. This will ensure the light source is operated in the best possible condition.
- 3) A detailed electrical check by an approved electrician every quarter to make sure that the circuit contacts are in good condition. This will prevent poor circuit contacts and the resultant overheating.

We recommend frequent cleaning of the device. Please use a moist, lint- free cloth. Never use alcohol or solvents.

Please refer to the instructions under " Installation instructions" .

Should you need any spare parts, please order genuine parts from your local dealer.

**Remark:** Errors and omissions for all information given in this manual are excepted. All information is subject to change without prior notice.

